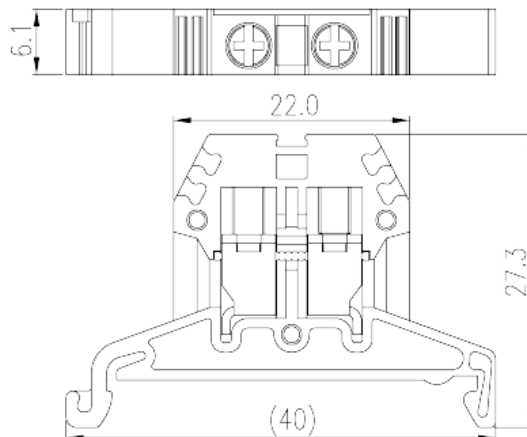


# DK4P

DIN Rail Terminal Blocks > Screw Connection

Date:2024-12-05



The web catalog is for reference only. Dinkle remains the right of product modification and engineering change of the design. The final product is made according to engineering drawing.

## Product Description

M3, 300V, 30A, Beige (default)

## General information

|                     |  |
|---------------------|--|
| Short description   | Single Level Feed-through Terminal Block |
| Category            | Single Level Feed-through Terminal Block |
| Color               | Beige (default)                          |
| Connection method   | Screw Connection                         |
| Type of locking     | Rail mounting                            |
| Length (mm)         | 40                                       |
| Width (mm)          | 6.1                                      |
| Height (mm)         | 27.3                                     |
| Number of positions | □1P                                      |
| Level               | Single level                             |
| Connection points   | 2  |

## Material information

|  |    |
|--|----|
| Insulation material                          | PA |
| Insulation material group                    | I  |
| Flame retardant rating , compliant with UL94 | V0 |

|                              |                   |
|------------------------------|-------------------|
| Insulation resistance        | □500MΩ at DC 500V |
| Plating of conductor surface | Tin PLATED        |

## Connection data-IEC

|   |         |
|---|---------|
| Rated voltage (V)   | 500     |
| Rated current (A)   | 32      |
| Rated voltage (III/3)(V)  | 500     |
| Rated impulse voltage (II/2)(KV)  | 6       |
| Rated impulse voltage (III/2)(KV)   | 6       |
| Rated impulse voltage (III/3)(KV)   | 6       |
| Conductor cross section solid. min (mm <sup>2</sup> )   | 0.34    |
| Conductor cross section solid.max (mm <sup>2</sup> )  | 4       |
| Conductor cross section stranded. min (mm <sup>2</sup> )  | 0.34    |
| Conductor cross section stranded. max (mm <sup>2</sup> )  | 4       |
| Conductor cross section flexible, with min ferrule without plastic sleeve (mm <sup>2</sup> )              | 0.34    |
| Conductor cross section flexible, with max ferrule without plastic sleeve (mm <sup>2</sup> )              | 4       |
| Conductor cross section flexible, with min ferrule with plastic sleeve (mm <sup>2</sup> )                 | 0.34    |
| Conductor cross section flexible, with max ferrule with plastic sleeve (mm <sup>2</sup> )                 | 2.5     |
| 2 conductors with same cross section, solid, min (mm <sup>2</sup> )                                       | 0.34    |
| 2 conductors with same cross section, solid, max (mm <sup>2</sup> )                                       | 2.5     |
| 2 conductors with same cross section, stranded, min (mm <sup>2</sup> )                                    | 0.34    |
| 2 conductors with same cross section, stranded, max (mm <sup>2</sup> )                                    | 1.5     |
| 2 conductors with same cross section flexible, with min ferrule without plastic sleeve (mm <sup>2</sup> ) | 0.5     |
| 2 conductors with same cross section flexible, with max ferrule without plastic sleeve (mm <sup>2</sup> ) | 1       |
| 2 conductors with same cross section flexible, min twin ferrules with plastic sleeve (mm <sup>2</sup> )   | 0.5     |
| 2 conductors with same cross section flexible, max twin ferrules with plastic sleeve (mm <sup>2</sup> )   | 2.5     |
| Screw thread  | M3      |
| Slotted screwdriver size (Blade thickness x Width)(mm)  | 0.6x3.5 |
| Philips screwdriver size  | PH0     |

|  |                  |
|--|------------------|
| Recommend tightening torque. min (N.m) | 0.5              |
| Recommend tightening torque. max (N.m) | 0.6              |
| Stripping Length (mm)                  | 9~11             |
| Mounting rail                          | TS-35N/TS-35/15N |
| End cover plate required               | YES              |
| Grounding connections                  | NO               |

## Connection data-UL

|  |     |
|--|-----|
| Rated voltage (UL/CUL Group B)(V)                | 300 |
| Rated current (UL/CUL Group B)(A)                | 30  |
| Rated voltage (UL/CUL Group C)(V)                | 300 |
| Rated current (UL/CUL Group C)(A)                | 30  |
| Rated voltage (UL/CUL Group D)(V)                | 300 |
| Rated current (UL/CUL Group D)(A)                | 5   |
| Min. solid wire connection (AWG) acc. to UL/CUL  | 22  |
| Max. solid wire connection AWG acc. to UL/CUL    | 10  |
| Min. stranded wire connection AWG acc. to UL/CUL | 22  |
| Max. stranded wire connection AWG acc. to UL/CUL | 10  |

## Environment & Safety

|   |     |
|---|-----|
| Back of the hand protection (YES or NO) | YES |
| Finger protection (YES or NO)           | YES |
| Operating temperature. max (°C)         | 120 |
| Operating temperature. min (°C)         | -40 |

## UL Recognized

|                            |       |
|----------------------------|-------|
| Wire Range (Group B)(AWG)  | 22~10 |
| Rated voltage (Group B)(V) | 300   |
| Rated current (Group B)(A) | 30    |
| Wire Range (Group C)(AWG)  | 22~10 |
| Rated voltage (Group C)(V) | 300   |
| Rated current (Group C)(A) | 30    |

## CUL Recognized

|                           |       |
|---------------------------|-------|
| Wire Range (Group B)(AWG) | 22~10 |
|---------------------------|-------|

|                            |       |
|----------------------------|-------|
| Rated voltage (Group B)(V) | 300   |
| Rated current (Group B)(A) | 30    |
| Wire Range (Group C)(AWG)  | 22~10 |
| Rated voltage (Group C)(V) | 300   |
| Rated current (Group C)(A) | 30    |

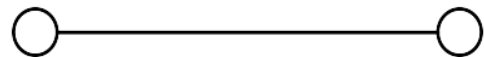
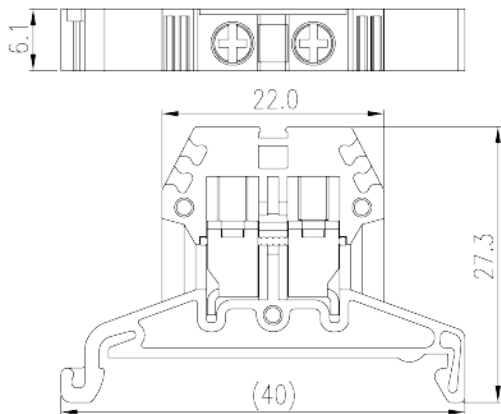
### VDE Approval

|                               |        |
|-------------------------------|--------|
| Wire Range (mm <sup>2</sup> ) | 0.34~4 |
| Rated voltage (V)             | 500    |
| Rated current (A)             | 32     |

### Explosion - proof Approvals

|                               |        |
|-------------------------------|--------|
| Wire Range (mm <sup>2</sup> ) | 0.34~4 |
| Rated voltage (V)             | 500    |
| Rated current (A)             | 32     |

### Drawings



### Approvals

