



**tim<sup>®</sup> COA**

PREMIUM Pneumatic coagulant pumps

Maintenance-friendly

## **Premium pumps**

with high reproducible dosing accuracy

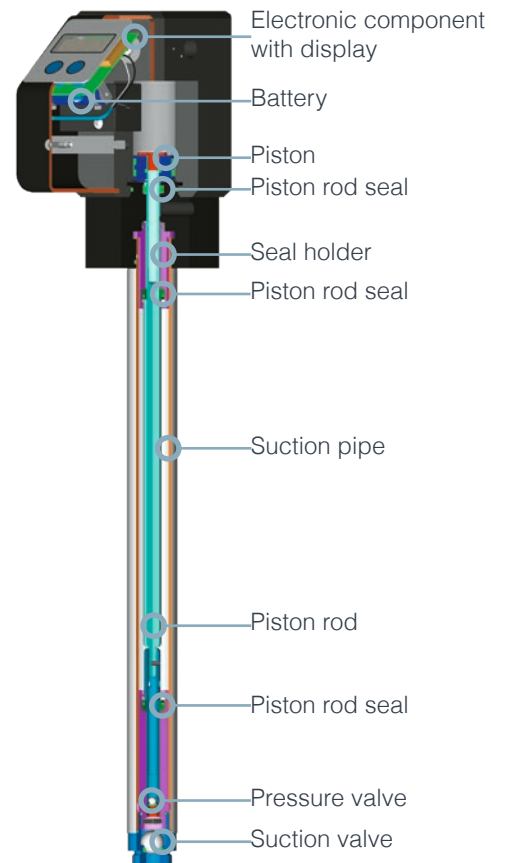
**Industries:**

Dosing  
Painting industry

# Pneumatic coagulant pumps



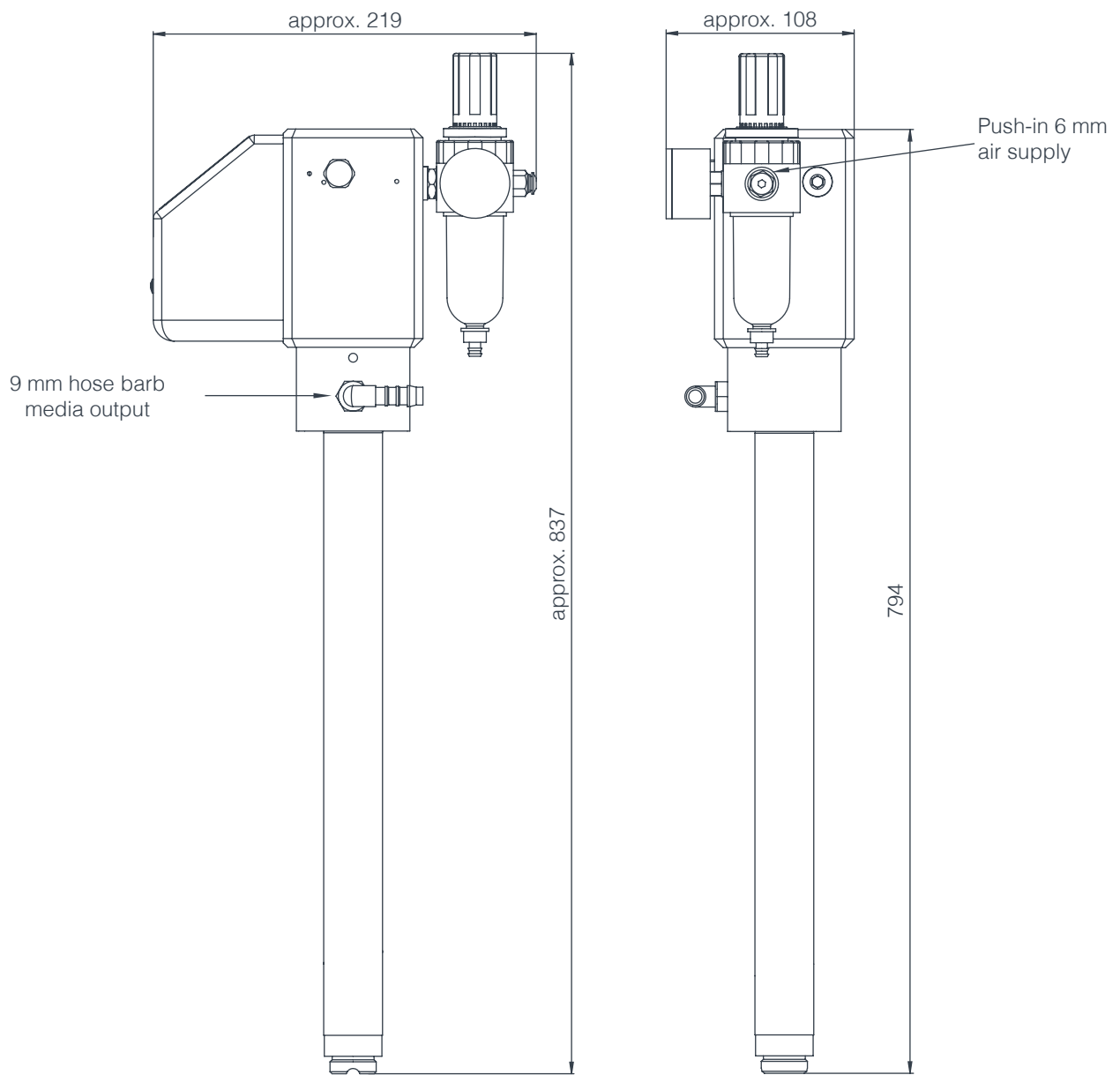
IP44



[www.timmer-pumps.com/  
en/coagulant-pumps](http://www.timmer-pumps.com/en/coagulant-pumps)

## PREMIUM-Pneumatic coagulant pumps PTI-E2-KDP-ZST

Order no.	Type	Output (per doublestroke)	Suction pipe length	Control	Protection class
52100040	PTI-E2-KDP-ZST-06-630-FKM	6 ml	630 mm	Time control	IP44
52100044	PTI-E2-KDP-ZST-06-400-FKM	6 ml	400 mm	Time control	IP44



Technical drawing:  
All dimensions in mm

## Technical data

Drive	: pneumatic
Drive principle	: self-priming - volumetric
Suction height	: self-priming approx. 5 m WS
Output (with water)	: 6 cm <sup>3</sup> / doublestroke (0,18 l/min / 10,8 l/h)
Number of Strokes (max.)	: 30 strokes / min
Temperature of fluids (max.)	: 70 °C
Viscosity of pumped medium (max.)	: 100.000 mPas
Suction side - Connection	: suction pipe (standard length 630 mm)
Pressure side - Connection	: hose nozzle NW 9 mm - 3/8"
Weight	: 2,5 kg
Overall length	: 805 mm (other lengths on request)
Battery	: 3,6 Volt
Protection class	: IP44

## Pneumatic data

Compressed air connection	: PU hose 6/4 mm G1/4"
Operating air pressure	: 3 - 6 bar filtered compressed air
Air consumption (max.)	: 15 l/min (continuous operation)
Solenoid valve	: 3/2-ways piezo valve

## Surplus values

### Pneumatic coagulant pumps

Integrated pneumatic electronic control	✓
Separate air and fluid parts	✓
High vacuum during priming	✓
Improved liquid conceyance	✓
Easy operating	✓
Low noise	✓
Cost effective	✓



## Materials

Drive housing	: POM
Liquid housing	: POM
Suction pipe	: stainless steel
Liquid seals	: PU-modified, conditionally acid and alkali resistant
Liquid valve balls	: stainless steel
Electrical housing	: PE
Pressure joint	: POM - 9 mm hose nozzle
Suction nozzle	: POM
Liquid valve seat	: FKM - O-Ring

## Fluids

The pump is suitable for conveying various fluids (media). Material resistance has to be examined on a case-by-case basis. We will be pleased to give you advice about the suitability in your specific application.

## Additional versions of the pneumatic coagulant pump

Order no.	Type	Flow rate (per double stroke)	Suction pipe length	Control	Protection class
52100041	PTI-E2-KDP-ZST-30-630-FKM	30 ml	630 mm	Time control	IP44
52100053	PTI-E2-KDP-ZST-30-400-FKM	30 ml	400 mm	Time control	IP44
52050216	PTI-E2-KDP-ZSP-06-630-FKM	6 ml	630 mm	Time storage	IP44
52050220	PTI-E2-KDP-ZSP-06-400-FKM	6 ml	400 mm	Time storage	IP44
52050217	PTI-E2-KDP-ZSP-30-630-FKM	30 ml	630 mm	Time storage	IP44
52050222	PTI-E2-KDP-ZSP-30-400-FKM	30 ml	400 mm	Time storage	IP44
52050067	PTI-E2-KDP-G-06-630-FKM	6 ml	630 mm	Basic version	IP44
52050115	PTI-E2-KDP-G-30-630-FKM	30 ml	630 mm	Basic version	IP44
52050118	PTI-E2-KDP-G-30-400-FKM	30 ml	400 mm	Basic version	IP44
52050006	PTI-E2-KDP-OS-06-630-FKM	6 ml	630 mm	Continuous stroke	IP44
52050002	PTI-E2-KDP-OS-06-400-FKM	6 ml	400 mm	Continuous stroke	IP44

### Time control

When the pre-set time has elapsed, a pumping stroke is performed automatically and the pre-set time starts over again from the beginning.

### Time storage

The pumping stroke starts automatically once the preset time has elapsed.

In this operating mode the total time consists of several individual time intervals. For example, if the total time is set to 5 minutes and the individual work process takes 1 minute, these minutes are added. Whereby the pause time between the operating processes is not included in the total time.

### Basic version

The pump is not equipped with an own control valve. The function should be controlled with an external 5/2- or 4/2-way valve. Compressed air connection of the pump: 1/8" internal thread.

### Continuous stroke

The pump has integrated control valves for oscillating operation. Once the compressed air supply is switched on, the pump starts constantly pumping. The stroke speed can be adjusted via a throttle.

**Suction pipes extensions (Stainless steel pipes up to max. 100 cm, suction valve)**

Order no.	Type	Extension
52060070-250-FKM	PTI-E2-ZUB-Z430-250-FKM	250 mm
52060070-330-FKM	PTI-E2-ZUB-Z430-330-FKM	330 mm
52060070-430-FKM	PTI-E2-ZUB-Z430-430-FKM	430 mm



**Mounting clamp ring (pump height adjustment)**

Order no.	Type	Scope of supply
52060024	PTI-E2-ZUB-Z610-Montagering	plastic clamp, thrust piece, clamping screw



**Battery (3,6 Volt)**

Order no.	Type	Service life
52030250	PTI-E2-ZUB-Z900-Batterie	approx. 1 year



**Wide neck barrel with reinforced lid (PE-Wide neck barrel, reinforced lid)**

Order no.	Type	Liters	Required length of suction pipe
52060034	PTI-E2-ZUB-Fass-30L	30	400 mm
52020034	PTI-E2-ZUB-Fass-60L	60	630 mm



**Compressed air connection with hose (compressed air hose, nozzle for coupling DN 7)**

Order no.	Type	Hose length	Hose $\varnothing$ internal	Hose $\varnothing$ external
52060090	PTI-E2-ZUB-DLA-2M	2 m	4 mm	6 mm
52060091	PTI-E2-ZUB-DLA-5M	5 m	4 mm	6 mm



**Conveying hose PVC**

Order no.	Type	Hose length	Scope of supply
52060095	PTI-E2-ZUB-Förderschlauch-2M	2 m	PVC hose15/9, hose clamp, hose nozzle, check valve, ball valve, fully assembled
52060096	PTI-E2-ZUB-Förderschlauch-5M	5 m	



**E - Dual stop valve 1/4"**

Order no.	Type	Application
52060054	PTI-E2-ZUB-Förderschlauch-2M	Holding of spray gun: pilot air is cut-off, time is interrupted.



**Start-pressure valve**

Order no.	Type	Application
23900003	PTI-E2-ZUB-STDV-32-1/4-NG	As soon as the spray gun is used, the preset time at the pump starts running.

